



hh simonsen®



NANO ION
DRYER

UK - INDEX

- 02 Nano Ion Dryer
- 04 Safety Instructions
- 09 Warranty



Dual Ionic Bonding Technology.
Built-in-generator for less frizz and more moisture protection

Nozzle and diffuser with strong Neodymium magnet attachment. For extra stability, fixture and rotations



3-meter designed soft round cord with velcro



Auto-clean program.
Reverse-wind for resetting filter every 6 hours.

Touch sensors for power:
4 speed settings
4 heat settings
Automatic power shut down after 240 minutes

Temperature sensors:
Auto-adjusting temperature to setting



NANO ION DRYER

UK > Get into your new Nano Ion Dryer in no time! Follow this quick guide:
Plug in your blow-dryer. Press the button **ON** and choose your wind- and heat settings. Activate the sensor with a press on the button and an LED-lamp will light up. By removing the hand, the blow-dryer will automatically turn off and start again upon touching the handle. When all settings are ready, the button is switched to lock to protect your chosen settings during use. With the sensor-button activated, the blow-dryer can be placed in the holder after use and will turn off automatically. After 240 minutes of pause, the blow-dryer goes into 'power off mode', needing the button to be pushed to off and on again. The blow-dryer has a built-in memory function and will reactivate to the latest setting.

SAFETY INSTRUCTIONS

Thank you for choosing HH Simonsen® Products.

It has always been HH Simonsen®'s ethos to provide our consumers with high quality professional styling products.

All HH Simonsen® hair stylers are easy to handle due to their ergonomic design and have been considerably reduced in weight. We also boast a smooth action 'swivel' cord that eliminates tangled power cables.

If used correctly, in accordance with the Safety Instructions, our products should provide you with years of use and ultimately give you the results you are looking for! We hope our product will give you the most delightful styling experience.

1. Safety

Thank you for choosing our news dryers, which will certainly respond to your highest expectations.

CAUTION: PLEASE READ CAREFULLY THE INSTRUCTIONS BEFORE USE. MANUFACTURER'S INSTRUCTIONS MUST BE FOLLOWED CORRECTLY TO ENSURE THE SAFEST USE OF THIS DEVICE.

Safety tips:

1. Keep the packaging (bags, boxes etc.) away from children. They may be hazardous if they play with them.
2. Plug in this appliance, ensuring that the main voltage is the same as that indicated on the unit.
3. NEVER touch the unit with wet or damp hands or feet.
4. PREVENT the unit from coming into contact with water or other liquid.

Do not use this appliance near baths, showers, sinks or any other object containing water.



WARNING: Do not use this device near baths, showers, sinks or any other object containing water.

5. If the unit accidentally falls into water or any other liquid, DO NOT ATTEMPT TO PICK IT UP, immediately unplug it first.
6. Do not use extension cords in rooms with baths or showers.
7. If the device falls, check it before using it. It must be checked by qualified staff or by official after-sales service.
8. When the hair dryer is used in a bathroom, unplug after use as the proximity to water presents danger even when the dryer is off.
9. Do not pull the cord to unplug the appliance.
10. Do not wrap the cord around the appliance.
11. Never operate this appliance if the cord is damaged or if it is not working properly. Return the device to the manufacturer or to a delegated customer service representative.

12. This appliance is not intended for use by persons with physical, sensory or mental disability (including children), or by persons who lack experience or knowledge, unless under the supervision or have received instruction on how to use the appliance by a person responsible for their wellbeing. Children should be supervised to avoid playing with the appliance.

13. To avoid overheating, do not leave the appliance plugged in. Always switch off the unit after use by unplugging it.

14. Do not use sprays (hairspray) near the dryer while it is in use.

15. Do not leave while the appliance is still in operation.

16. In order to avoid burning, keep the hot parts of the appliance away from heat sensitive surfaces and skin.

17. Do not cover the dryer with towels or other objects while in use or still hot.

18. NEVER store the appliance while still hot or plugged.

19. ALWAYS prevent the cable to enter into contact with hot parts of the unit, even when it is unplugged.

20. Do not obstruct the air intake. Check regularly that it is clean and free of hair.

21. For additional protection, we recommend installing a residual current device (RCD) with a rated operating fault current not exceeding 30 mA in the electrical circuit supplying the bathroom. Ask your installer for advice.

22. WARNING: If the device is used in a way not specified by the manufacturer, safety may be compromised.

Technical Data:

Voltage: 220-240V~

Frequency: 50/60 Hz

Power: 1,700 W

Wind speed: 26 M/S

Sound level: 79 dB

Weight: 380g

Extra flexible 3m cable

Features:

Bonding ION generator to help reduce frizz and lock in moisture in the hair for a silky result

Ergonomic and modern design

Robust and lightweight polycarbonate housing

Long-life BLDC motor with 110,000RPM

4 Temperature and 4 speed settings, suitable for any type of natural hair.

Cold air button

Overheating protection

Memory function

Auto reverse clean function to protect the dryer

Power off function for safety use

Lock function

Magnetic styling attachments, including two different nozzles with the silicone cover and one diffuser.

Removable filter basket, easy to remove for cleaning



SAFETY INSTRUCTIONS

Instructions

Check that the power supply corresponds to the one printed on the appliance. Insert the plug into the socket, press the ON/FF button (1). When you switch the dryer on for the first time, the default speed and temperature will be the minimum. The first white speed indicator light will flash. After using it, switch the appliance off and disconnect it from the power supply. Do not store until it is cold.

Adjust the speed

The air speed can be adjusted in 4 speeds with the air speed adjustment button (3).

Press once, twice, or three times to adjust the speed. The white light (5) will come on to indicate air speed levels 1-2-3.

- If you do not press the button, the speed shall be the minimum.
- Press the button once for low speed.
- Press the button twice for average speed.
- Press the button three times for high speed.

Cold air button

If you press the cold air button (8), the temperature will automatically switch to cold.

Temperature settings

The air temperature can be adjusted with the temperature adjustment knob (2).

Press once, twice, or three times to adjust the temperature.

To set the temperature setting of the dryer, you can do this with the button (2).

Press 1-2-3 times to adjust the temperature. The red LED indicator (6) will come on, indicating temperature levels 1-2-3.

- If you do not press the button, it will be cold.
- Press the button once for cool.
- Pressing the button twice for warm.
- Pressing the button three times for hot.

Reverse clean function:

Press the sensor touch button(4) firstly and move the ON/OFF button at the same time (1) to "ON" to start this function. The blue light (7) will flash under this function

Auto reverse clean function:

Once the service time of the dryer reaches 6 hours of use, the blue light (7) will flash (at the sensor)-this indicate.

Reminding you that it is now time to clean, if the dryer has not been cleaned, the dryer will be in emergency mode directly, no heat and lowest speed to work.

Clean the inner filter and the air inlet cover to protect the service life of the motor. Cleaning process;

Press the sensor touch bottom (7) and then move the on/off bottom (4) to position "on". Turn the dryer off after 10-15 seconds.



Sensor touch function:

press the sensor touch button (4) to start this function. The red light (7) will flash under this function (Remark: If the sensor touch is activated last time (before you turn off the dryer), it will return to work next time. If the sensor touch function is deactivated (before you turn off the dryer), it wont work next time.

Overheating protection

Using NTC+ thermostat + fuse for this dryer to avoid the overheating problem. Both of the temperature and the power will go down under this function.

Auto shut off function:

The dryer will be auto shut off after 4 hours of non use, even though the sensor is deactivated

Lock function:

Except for the cool shot button, the other function buttons are under working of the lock button(1)

Memory function:

All the functions of the dryer will automatically go back to last chosen setting when it is turned on again.

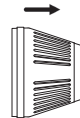
Cleaning instructions

First, unplug the dryer from the mains, remove the air inlet cover (10), remove the filter (9) from inside the rear cover and clean it with a damp towel or sponge, making sure the filter is dry before reassembling it. Good filter maintenance can extend the life of the dryer.

Step to clean the Air filter

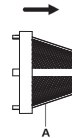
A. Air filter

Extraction direction



Step 1: Unplug the power Supply and remove the magnetic Air inlet cover of the dryer horizontally, as shown in the drawing.

Extraction direction

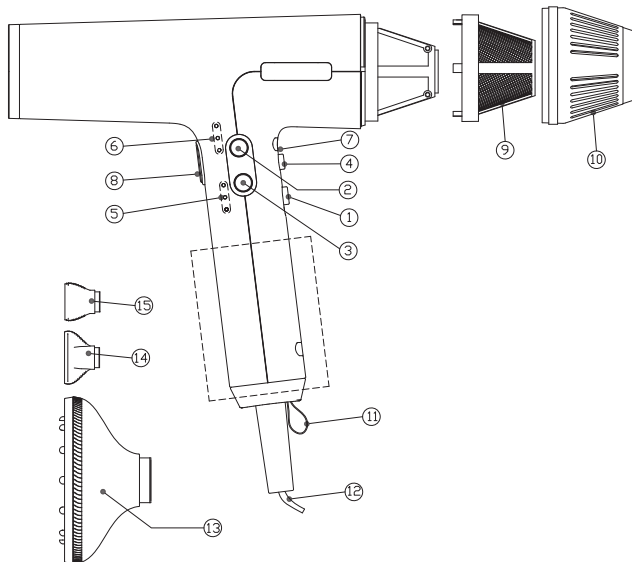


Step 2: Remove the magnetic inner air filter from the back of the dryer.
 Step 3: Clean the Air filter and Air Inlet cover with clean water and dry them.
 Step 4: Assemble to the main motor in the disassembly sequence.

SAFETY INSTRUCTIONS

Directions of the parts

1. ON/OFF & Lock button
2. Temperature adjustment button
3. Air speed adjustment button
4. Sensor touch button
5. Air speed indicator
6. Temperature indicator
7. Sensor touch indicator & reverse clean indicator
8. Cold air button
9. Air filter
10. Air inlet cover
11. Hanger
12. Power cable
13. Diffuser
14. Wide nozzle
15. Narrow nozzle



Maintenance

- For the unit to function perfectly and have a long life, keep it always clean.
- Clearing must be carried out with the device cold and unplugged from the electrical network.
- In order to preserve the full effectiveness of your dryer, you have to clean the filter from the rear with a soft dry brush regularly.
- Do not use the unit without the filter on the back
- NEVER put the device in water.

Disposal:

The symbol on the product or on its packaging indicated that this product may not be treated as household waste. Instead it shall be handed over to the applicable collection point for the recycling of electrical and electronic equipment. By ensuring this product is disposed correctly, you will prevent potential negative consequences for the environment and human health, which could otherwise be caused by inappropriate waste handling of this product. For more

detailed information about recycling of this product, please contact your local city office, your household waste disposal service or the shop where you purchased the product.

Warranty

Note: The hair dryer may change its colour gradually on the plastic surface due to heat exposure. The warranty does not cover these changes.

If problems or defects occur, contact the place of purchase. Remember to bring your receipt.

We warrant products against defects in materials and workmanship for one (1) year from original purchase date. If you cannot prove original purchase date, the warranty period runs one (1) year from date of product manufacture.

This warranty does not cover normal wear and tear such as shortages in the power supply cord.

The warranty will be voided if the following occurs:

- Failure due to improper use.
- Scratched, damaged or cracked handle, house or nozzle due to misuse or abuse such as dropping.
- Use of wrong voltage supply.
- Neglect of safety precautions or lack of proper cleaning and maintenance of the air filters.
- Tampering such as repair or attempted repair by unauthorized person or use of unauthorized attachments.

Weee

WEEE is short for 'Waste from Electrical and Electronic Equipment' and is used across the EU as a common designation for such waste.



DK- INDHOLD

- 10 Nano Ion Dryer
- 12 Sikkerhed
- 17 Garanti



10

Dobbelt Ionic Bonding-teknologi. Indbygget generator for mindre kruset hår og mere fugtbeskyttelse.

Dyse og diffuser med kraftig Neodymium-magnetmontering. For ekstra stabilitet, fastholdelse og rotationer.



3 meter fleksibel gummi ledning med velcro



Automatisk rengøringsprogram. Reverse-vind for nulstilling af filter hver 6. time.

Touch sensorer til strøm:
4 hastighedsindstillinger
4 varmeindstillinger
Automatisk strømafbrydelse efter 240 minutter

Temperatursensorer:
Automatisk tilpasning af temperatur til indstilling



NANO ION DRYER

DK > Kom I gang med din nye Nano Ion Dryer! Følg vores kvikguide:

Sæt fønnen i stikket. Skub **ON**-knappen op og vælg din blæse- og varmejustering. Aktiver sensoren med et tryk på knappen og en LED-lampe vil lyse. Når hånden fjernes fra håndtaget, slukkes fønnen automatisk og starter igen ved berøring af håndtaget. Når alle indstillinger er klar, skubbes knappen til hængelås, så justeringerne ikke ændres under brug. Med sensorknappen aktiveret kan fønnen sættes tilbage i fønholderen efter brug og slukkes automatisk. Efter 240 minutters hvile går fønnen i 'power off mode', så knappen skal skubbes ned til off og on igen. Fønnen har indbygget hukommelse og vil reaktiveres til sidste setting.



BRUGERVEJLEDNING OG SIKKERHED

Tak fordi du har valgt HH Simonsen® apparater.

Det har altid været HH Simonsen®'s filosofi at give vores forbrugere de bedste professionelle stylingapparater.

Alle HH Simonsen® hårstylers er nemme at håndtere på grund af deres ergonomiske design og ultralette vægt. Vi har også designet en glat 'snoet' ledning, der eliminerer sammenfiltrede strømkabler.

Hvis de bruges korrekt i overensstemmelse med sikkerhedsinstruktionerne, bør vores apparater give dig mange års brug og i sidste ende give dig de resultater, du leder efter! Vi håber at vores apparat vil give dig den skønneste stylingoplevelse.

1. Sikkerhed

Tak fordi du valgte vores nye føntørrer, der helt sikkert vil leve op til dine forventninger.

VIGTIGT: LÆS VENLIGST OMHYGGELIGT INSTRUKTIONERNE FØR BRUG. FABRIKANTENS INSTRUKTIONER SKAL FØLGES KORREKT FOR AT SIKRE DEN SIKRESTE BRUG AF DENNE ENHED.

Sikkerhedstips:

1. Opbevar emballagen (poser, æsker osv.) utilgængeligt for børn.
2. Sæt føntørreren i stikkontakten og sørg for, at den primære spænding er den samme som den, der er angivet på føntørreren.
3. RØR ALDRIG ved apparatet med våde eller fugtige hænder eller fødder.

Det kan være farligt, hvis de leger med dem.

4. UNDGÅ, at apparatet kommer i kontakt med vand eller anden væske.

Brug ikke dette apparat nær badekar, brusere, håndvaske eller andre objekter, der indeholder vand.



ADVARSEL: Brug ikke dette apparat nær badekar, brusere, håndvaske eller andre objekter, der indeholder vand.

5. Hvis apparatet falder ved et uheld i vand eller anden væske, PRØV IKKE AT SAMLE DEN OP, afbryd den straks først.

6. Brug ikke forlængerledninger i rum med bade eller brusere.

7. Hvis apparatet falder på gulvet, skal den kontrolleres, inden den bruges. Den skal kontrolleres af kvalificeret personale eller af officiel service efter salg.

8. Når føntørreren bruges på et badeværelse, skal den afbrydes efter brug, da nærheden til vand udgør fare, selv når føntørreren er slukket.



9. Træk ikke i ledningen for at trække stikket ud af stikkontakten.
10. Rul ikke ledningen omkring apparatet.
11. Brug aldrig dette apparat, hvis ledningen er beskadiget eller ikke fungerer korrekt. Returnér apparatet til fabrikanten eller til en delegeret kundeservicerepræsentant.
12. Dette apparat er ikke beregnet til brug af personer med fysisk, sensorisk eller mental handicap (inklusive børn), eller af personer, der mangler erfaring eller viden, medmindre de er under opsyn eller har modtaget instruktion i brugen af apparatet af en person ansvarlig for deres trivsel. Børn skal overvåges for at undgå leg med apparatet.
13. For at undgå overophedning, må apparatet ikke efterlades tilsluttet. Sluk altid føntøreren efter brug ved at trække stikket ud.
14. Brug ikke spray (hårspray) nær føntøreren, mens den er i brug.
15. Efterlad ikke apparatet, mens det stadig er i drift.
16. For at undgå forbrænding skal de varme dele af apparatet holdes væk fra varme-følsomme overflader og hud.

17. Dæk ikke føntøreren med håndklæder eller andre genstande, mens den er i brug eller stadig er varm.
18. LÆG ALDRIG føntøreren væk, mens den stadig er varm eller tilsluttet.
19. FOREBYG ALTID, at kablet kommer i kontakt med varme dele af føntøreren, selv når det er afbrudt.
20. Bloker ikke for luftindtaget. Kontroller regelmæssigt, at der er rent og frit for hår.
21. For yderligere beskyttelse anbefaler vi at installere en reststrømsenhed (RCD) med en nominel fejlstrøm, der ikke overstiger 30 mA i den elektriske kreds, der leverer til badeværelset. Spørg din installatør om rådgivning.
22. ADVARSEL: Hvis føntøreren bruges på en måde, der ikke er specificeret af fabrikanten, kan sikkerheden være kompromitteret.

Tekniske data:

- Spænding: 220-240V~
- Frekvens: 50/60 Hz
- Effekt: 1.700 W
- Vindhastighed: 26 M/S
- Lydniveau: 79 dB
- Vægt: 380 g
- Ekstra fleksibel 3 m ledning

Funktioner:

- Bonding ION generator til at reducere krus og låse fugt inde i håret for et silkeagtigt resultat
- Ergonomisk og moderne design
- Robust og let polycarbonat-hus
- Langtidsholdbar BLDC-motor med 110.000 omdr./min.
- 4 temperatur- og 4 hastighedsindstillinger, velegnet til enhver type naturligt hår.
- Kold luft-knap
- Overophedningsbeskyttelse
- Hukommelsesfunktion



BRUGERVEJLEDNING, SIKKERHED OG GARANTI

Automatisk reverse rengøringsfunktion for at beskytte føntørreren

Strømafbryderfunktion til sikker brug

Låsefunktion

Magnetisk stylingtilbehør, herunder to forskellige næb med silikoneovertræk og en diffuser.

Aftagelig filterkurv, nem at fjerne til rengøring

Instruktioner

Kontroller, at strømforsyningen svarer til den, der er trykt på apparatet. Sæt stikket i stikkontakten, tryk på TÆND/SLUK-knappen (1). Når du tænder føntørreren for første gang, vil standardhastigheden og -temperaturen være minimum. Den første hvide hastighedsindikator vil blinke. Efter brug skal du slukke for apparatet og afbryde det fra strømforsyningen. Læg ikke væk, før det er kølet af.

Juster hastigheden:

Luftens hastighed kan justeres i 4 hastigheder med hastighedsjusteringsknappen (3). Tryk en, to eller tre gange

for at justere hastigheden. Det hvide lys (5) tændes for at indikere luftens hastighedsniveauer 1-2-3.

- Hvis du ikke trykker på knappen, vil hastigheden være minimum.

- Tryk på knappen en gang for lav hastighed.

- Tryk på knappen to gange for gennemsnitlig hastighed.

- Tryk på knappen tre gange for høj hastighed.

Kold luftknop:

Hvis du trykker på kold luft-knappen (8), skifter temperaturen automatisk til kold.

Temperaturindstillinger

Luftens temperatur kan justeres med temperaturjusteringsknappen (2). Tryk en, to eller tre gange for at justere temperaturen. For at indstille temperaturen på føntørreren kan du gøre dette med knappen (2). Tryk 1-2-3 gange for at justere temperaturen. Den røde LED-indikator (6) tændes og indikerer temperaturniveauer 1-2-3.

- Hvis du ikke trykker på knappen, vil det være koldt.

- Tryk på knappen en gang for kølig temperatur.

- Tryk på knappen to gange for lunken temperatur.

- Tryk på knappen tre gange for varm temperatur.

Omvendt rengøringsfunktion:

Tryk først på sensor-touch-knappen (4) og flyt samtidig TÆND/SLUK-knappen (1) til "ON" for at starte denne funktion. Den blå lampe (7) vil blinke under denne funktion.

Auto reverse rengøringsfunktion:

Når føntørrerens servicetid når 6 timers brug, vil den blå lampe (7) blinke (ved sensoren) - dette indikerer, at det nu er tid til at rengøre. Hvis føntørreren ikke er blevet rengjort, vil den gå i nødtilstand direkte, stoppe varmen og gå til laveste hastighed. Rengør det indre filter og luftindtagsdækslet for at beskytte motorens levetid. Rengøringsprocessen: Tryk på sensor-touch-knappen (7) og flyt derefter TÆND/SLUK-knappen (4) til position "ON". Sluk føntørreren efter 10-15 sekunder.



Sensor-touch-funktion:

Tryk på sensor-touch-knappen (4) for at starte denne funktion. Den røde lampe (7) vil blinke under denne funktion (Bemærk: Hvis sensor-touch aktiveres sidste gang (før du slukker føntøreren), vil den vende tilbage til arbejde næste gang. Hvis sensor-touch-funktionen deaktiveres (før du slukker føntøreren), vil den ikke fungere næste gang.

Overophedningsbeskyttelse:

Brug af NTC+ termostat + sikring til denne føntørrer for at undgå overophedning. Både temperaturen og strømmen vil falde under denne funktion.

Automatisk slukfunktion:

Føntøreren slukkes automatisk efter 4 timers inaktivitet, selvom sensoren er deaktiveret.

Låsefunktion:

Med undtagelse af kold luft-knappen er de andre funktionstaster under låseknappen (1)

Hukommelsesfunktion:

Alle føntøreres funktioner går automatisk tilbage til sidst valgte indstilling, når den tændes igen.

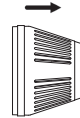
Rengøringsinstruktioner:

Først skal du trække stikket ud af stikkontakten, fjerne luftindtagsdækslet (10), tage filteret (9) ud inde i bagdækslet og rengøre det med en fugtig klud eller svamp, og sørge for, at filteret er tørt, inden du samler det igen. God vedligeholdelse af filteret kan forlænge føntøreres levetid.

Skridt til rengøring af filteret

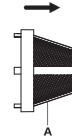
A. Filter

Udtrækningsretning



Trin 1: Træk stikket ud af strømforsyningen og tag det magnetiske bagdæksel af føntøreren vandret, som vist på tegningen.

Udtrækningsretning

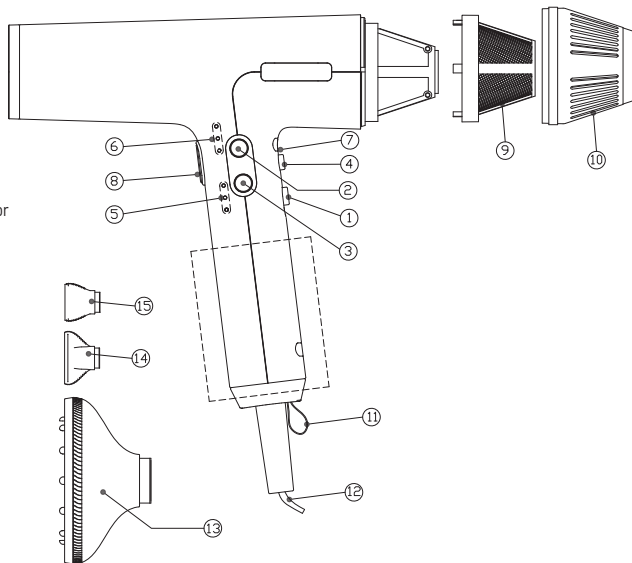


Trin 2: Fjern det indre filter fra indersiden af det ydre filter.
Trin 3: Rengør det ydre filter og luftindtagsdækslet med rent vand og tør dem.
Trin 4: Saml det på hovedmotoren i adskillelsesrækkefølgen.

BRUGERVEJLEDNING, SIKKERHED OG GARANTI

Retningslinjer for dele

1. TÆND/SLUK- og Låseknappen
2. Temperaturjusteringsknap
3. Luftstyrkejusteringsknap
4. Sensor-touch-knap
5. Luftstyrkeindikator
6. Temperaturindikator
7. Sensor-touch-indikator & reverse rengøringsindikator
8. Kold luft-knap
9. Filter
10. Luftindtagsdækning
11. Bøjle
12. Strømkabel
13. Diffuser
14. Bredt næb
15. Smalt næb



Vedligeholdelse

- For at føntørreren fungerer perfekt og har lang levetid, skal den altid være ren.
- Rengøring skal udføres, mens føntørreren er kold og afbrudt fra elektricitetsnettet.
- For at bevare din føntørrers fulde effektivitet, skal du rengøre filteret bagfra med en blød, tør børste regelmæssigt.
- Brug ikke føntørreren uden filter på bagsiden.
- LÆG ALDRIG føntørreren i vand.

Bortskaffelse

Symbolet på apparatet eller dets emballage angiver, at dette apparat ikke må behandles som husholdningsaffald. I stedet skal det afleveres til det relevante indsamlingssted til genanvendelse af elektrisk og elektronisk udstyr. Ved at sikre, at dette apparat bortskaffes korrekt, forhindrer du potentielle negative konsekvenser for miljøet og menneskers sundhed, som ellers kunne forårsages af forkert håndtering af dette apparat. For mere detaljerede oplysninger om genanvendelse af dette apparat,

kontakt venligst din kommune, din affaldshåndteringservice eller den butik, hvor du købte apparatet.

Garanti

Bemærk: Føntørreren kan ændre sin farve gradvist på plastoverfladen på grund af varmeudsættelse. Garantien dækker ikke disse ændringer.

Hvis der opstår problemer eller defekter, kontakt da købsstedet. Husk at medbringe din kvittering.

Vi garanterer apparater mod fejl i materialer og håndværk i et (1) år fra den oprindelige købsdato. Hvis du ikke kan bevise den oprindelige købsdato, løber garantiperioden i et (1) år fra apparationsdatoen.

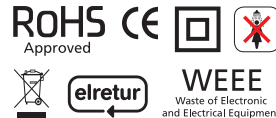
Denne garanti dækker ikke almindeligt slid som f.eks. kortslutning i strømforsyningskablet.

Garantien bortfalder, hvis følgende sker:

- Fejl på grund af forkert brug.
- Ridser, beskadigelse eller revner på håndtag, hus eller næb på grund af misbrug eller mishandling såsom tab.
- Brug af forkert spændingsforsyning.
- Forsømmelse af sikkerhedsforanstaltninger eller manglende ordentlig rengøring og vedligeholdelse af luftfiltrene.
- Manipulation som reparation eller forsøg på reparation af uautoriseret person eller brug af uautoriseret værktøj.

WEEE

WEEE står for "Waste from Electrical and Electronic Equipment" og bruges i hele EU som en fælles betegnelse for denne type affald.



IT - INDICE

- 18 Nano Ion Dryer
- 20 Istruzioni di sicurezza
- 25 Garanzia



Tecnologia a doppio legame ionico. Generatore incorporato che riduce l'effetto crespo e offre una maggiore protezione dall'umidità.

Erogatore e diffusore con forte fissaggio a magnete di Neodimio. Per stabilità, fissaggio e rotazioni maggiori.



Cavo morbido, lungo 3 metri, con chiusura a strappo.



Programma di pulizia automatica. Riavvolgimento inverso per reimpostare il filtro ogni 6 ore.

Sensori touch per l'accensione:
4 impostazioni di velocità
4 impostazioni di calore
Spegnimento automatico dopo 240 minuti

Sensori di temperatura:
Regolazione automatica della temperatura in base all'impostazione.



NANO ION DRYER

IT > Inizia subito a utilizzare il tuo nuovo Nano Ion Dryer! Segui questa guida rapida: Inserisci la spina del tuo asciugacapelli. Premi il pulsante ON e scegli le impostazioni di aria e calore. Attiva il sensore premendo il pulsante e una lampada a LED si accenderà. Rimuovendo la mano, l'asciugacapelli si spegnerà automaticamente e si riaccenderà al tocco della maniglia. Quando tutte le impostazioni sono pronte, il pulsante viene attivato per bloccare e proteggere le impostazioni scelte durante l'uso. Con il pulsante-sensore attivato, l'asciugacapelli può essere riposto nel supporto dopo l'uso e si spegnerà automaticamente. Dopo 240 minuti di pausa, l'asciugacapelli entra in modalità 'spegnimento automatico', richiedendo di premere il pulsante per spegnere e riaccendere. L'asciugacapelli ha una funzione di memoria incorporata e si riattiverà con l'ultima impostazione utilizzata.



ISTRUZIONI DI SICUREZZA

Grazie per aver scelto i prodotti HH Simonsen®.

L'obiettivo di HH Simonsen® è sempre stato quello di fornire ai nostri consumatori prodotti professionali di alta qualità per lo styling.

Tutti gli strumenti per lo styling dei capelli di HH Simonsen® sono facili da utilizzare grazie al loro design ergonomico e sono notevolmente leggeri. Possiedono inoltre un cavo 'girevole' ad azione fluida che elimina l'annodamento dei cavi di alimentazione.

Se utilizzati correttamente, in conformità con le Istruzioni per la Sicurezza, i nostri prodotti ti offriranno anni di utilizzo e ti doneranno i risultati che stai cercando! Speriamo che il nostro prodotto ti regali la più piacevole esperienza di styling.

1. Sicurezza

Grazie per aver scelto i nostri nuovi asciugacapelli, che sicuramente risponderanno alle vostre aspettative più elevate.

ATTENZIONE: LEGGERE ATTENTAMENTE LE ISTRUZIONI PRIMA DELL'USO. LE ISTRUZIONI DEL PRODUTTORE DEVONO ESSERE SEGUITE CORRETTAMENTE PER GARANTIRE L'UTILIZZO PIÙ SICURO DI QUESTO DISPOSITIVO.

Suggerimenti per la sicurezza:

1. Mantenere l'imballaggio (sacchetti, scatole, ecc.) fuori dalla portata dei bambini. Potrebbero rappresentare un pericolo se ci giocano.
2. Collegare questo apparecchio assicurandosi che la tensione elettrica principale sia la stessa indicata sull'unità.
3. NON toccare mai l'unità con le mani o i piedi bagnati o umidi.
4. EVITARE che l'unità entri in contatto con acqua o altri liquidi.

Non utilizzare questo apparecchio vicino a vasche, docce, lavandini o qualsiasi altro oggetto che contenga acqua.



ATTENZIONE: Non utilizzare questo dispositivo vicino a vasche, docce, lavandini o qualsiasi altro oggetto che contenga acqua.

5. Se l'unità cade accidentalmente in acqua o in qualsiasi altro liquido, NON PROVARE A RECUPERARLA, scollegala immediatamente prima.
6. Non utilizzare prolunghe elettriche in ambienti con vasche o docce.
7. Se l'apparecchio cade, controllarlo prima di usarlo. Deve essere verificato da personale qualificato o da un servizio di assistenza post-vendita ufficiale.
8. Quando l'asciugacapelli viene utilizzato in un bagno, scollegalo dopo l'uso poiché la vicinanza all'acqua rappresenta un pericolo anche quando l'asciugacapelli è spento.
9. Non tirare il cavo per scollegare l'elettrodomestico.
10. Non avvolgere il cavo intorno all'apparecchio.



11. Non utilizzare mai questo apparecchio se il cavo è danneggiato o se non funziona correttamente. Restituisci il dispositivo al produttore o a un rappresentante del servizio clienti.

12. Questo apparecchio non è destinato all'uso da parte di persone con disabilità fisiche, sensoriali o mentali (compresi i bambini), o da parte di persone prive di esperienza o conoscenza, a meno che non siano sotto supervisione o abbiano ricevuto istruzioni su come utilizzare l'apparecchio da parte di una persona responsabile del loro benessere. I bambini dovrebbero essere sorvegliati per evitare di giocare con l'apparecchio.

13. Per evitare il surriscaldamento, non lasciare l'apparecchio collegato. Spegnerne sempre l'unità dopo l'uso, scollegandola.

14. Non utilizzare spray (lacca per capelli) vicino all'asciugacapelli mentre è in uso.

15. Non lasciare l'apparecchio in funzione senza supervisione.

16. Per evitare bruciature, tenere le parti calde dell'apparecchio lontane da superfici sensibili al calore e dalla pelle.

17. Non coprire l'asciugacapelli con asciugamani o altri oggetti mentre è in uso o ancora caldo.

18. NON riporre l'apparecchio mentre è ancora caldo o collegato.

19. Fare sempre in modo che il cavo non entri in contatto con parti calde dell'unità, anche quando è scollegato.

20. Non ostruire la presa d'aria dell'asciugacapelli. Controlla regolarmente che sia pulita e priva di capelli.

21. Per una protezione aggiuntiva, raccomandiamo l'installazione di un dispositivo di corrente residua (RCD) con una corrente di guasto nominale non superiore a 30 mA nel circuito elettrico che alimenta il bagno. Chiedi consiglio al tuo tecnico di riferimento.

Dati Tecnici:

Tensione elettrica: 220-240V~

Frequenza: 50/60 Hz

Potenza: 1.700 W

Velocità dell'aria: 26 M/S

Livello di rumore: 79 dB

Peso: 380 g

Cavo extra flessibile di 3 m

Caratteristiche:

Generatore di ioni di legame per aiutare a ridurre l'effetto crespo e trattenere l'umidità nei capelli per un risultato setoso.

Design ergonomico e moderno

Struttura robusta e leggera in policarbonato

Motore BLDC a lunga durata con 110.000 RPM.

4 Impostazioni di temperatura e 4 di velocità, adatte a ogni tipo di capelli naturali.

Pulsante di aria fredda

Protezione dal surriscaldamento

Funzione di memoria

Funzione di pulizia automatica a inversione per proteggere l'asciugacapelli.

Funzione di spegnimento automatico per un uso sicuro

Funzione di blocco

Accessori di styling magnetici, inclusi due diversi beccucci con copertura in silicone e un diffusore.

Cestello del filtro rimovibile, facile da togliere per la pulizia.



ISTRUZIONI DI SICUREZZA

Istruzioni

Verifica che l'alimentazione corrisponda a quella indicata sull'apparecchio. Inserisci la spina nella presa, premi il pulsante ON/OFF (1). Quando accendi l'asciugacapelli per la prima volta, la velocità e la temperatura predefinite saranno al minimo. La prima luce indicatore di velocità bianca lampeggerà. Dopo l'uso, spegni l'apparecchio e scollegalo dall'alimentazione. Non riportolo finché non si sarà raffreddato.

Regola la velocità

La velocità dell'aria può essere regolata su 4 livelli utilizzando il pulsante di regolazione della velocità dell'aria (3).

Premi una, due o tre volte per regolare la velocità. La luce bianca (5) si accenderà per indicare i livelli di velocità dell'aria 1-2-3.

- Se non premi il pulsante, la velocità sarà al minimo.
- Premi il pulsante una volta per la bassa velocità.
- Premi il pulsante due volte per la velocità media.
- Premi il pulsante tre volte per l'alta velocità.

Pulsante di aria fredda

Se premi il pulsante di aria fredda (8), la temperatura passerà automaticamente a fredda.

Impostazioni di temperatura

La temperatura dell'aria può essere regolata con la manopola di regolazione della temperatura (2).

Premi una, due o tre volte per regolare la temperatura.

Per impostare la temperatura dell'asciugacapelli, puoi farlo con il pulsante (2).

Premi 1-2-3 volte per regolare la temperatura. Il LED rosso (6) si accenderà, indicando i livelli di temperatura 1-2-3.

- Se non premi il pulsante, sarà fredda.
- Premi il pulsante una volta per la temperatura fresca.
- Premi il pulsante due volte per la temperatura tiepida.
- Premi il pulsante tre volte per la temperatura calda.

Funzione di pulizia inversa:

Premi prima il pulsante touch del sensore (4) e contemporaneamente sposta il pulsante ON/OFF (1) su "ON" per avviare questa funzione. La luce Blu (7) lampeggerà con questa funzione.

Funzione di pulizia automatica inversa:

Una volta che il tempo di servizio dell'asciugacapelli raggiunge le 6 ore di utilizzo, la luce Blu (7) lampeggerà (presso il sensore), indicando che è necessaria la pulizia. Se l'asciugacapelli non viene pulito, entrerà direttamente in modalità di emergenza, senza calore e alla velocità più bassa.

Pulisci il filtro interno e la copertura dell'entrata d'aria per proteggere la durata del motore. Procedura di pulizia: Premi il pulsante touch del sensore (7) e quindi sposta il pulsante di accensione/spegnimento (4) in posizione "on". Spegni l'asciugacapelli dopo 10-15 secondi.



Funzione touch del sensore:

Premi il pulsante touch del sensore (4) per avviare questa funzione. La luce rossa (7) lampeggerà sotto questa funzione.

(Osservazione: Se la funzione touch del sensore è stata attivata l'ultima volta (prima di spegnere l'asciugacapelli), tornerà a funzionare la prossima volta. Se la funzione touch del sensore è stata disattivata (prima di spegnere l'asciugacapelli), non funzionerà la prossima volta.

Protezione da surriscaldamento:

Questo asciugacapelli utilizza un termostato NTC+ e un fusibile per evitare problemi di surriscaldamento. Sia la temperatura che la potenza diminuiranno in questa funzione.

Funzione di spegnimento automatico:

L'asciugacapelli si spegnerà automaticamente dopo 4 ore di inattività, anche se il sensore è disattivato.

Funzione di blocco:

Ad eccezione del pulsante di raffreddamento, gli altri pulsanti di funzione sono sotto l'effetto del pulsante di blocco (1).

Funzione di memoria:

Tutte le funzioni dell'asciugacapelli torneranno automaticamente all'ultima impostazione scelta quando viene acceso di nuovo.

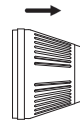
Istruzioni per la pulizia

Prima di tutto, scollega l'asciugacapelli dalla presa, rimuovi la copertura dell'entrata d'aria (10), estrai il filtro (9) dall'interno della copertura posteriore e puliscilo con un panno o una spugna umida, assicurandoti che il filtro sia asciutto prima di rimontarlo. Una buona manutenzione del filtro può prolungare la vita dell'asciugacapelli.

Procedura per pulire il filtro

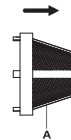
A. Filtro

Direzione di estrazione



Step 1: Scollegare l'alimentazione e rimuovere il coperchio posteriore magnetico dell'asciugacapelli in modo orizzontale, come mostrato nel disegno.

Direzione di estrazione

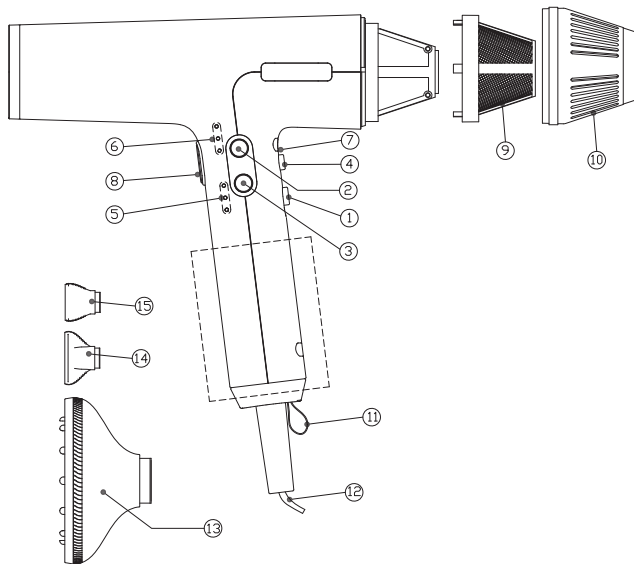


Step 2: Rimuovere il filtro interno dall'interno del filtro esterno.
Step 3: Pulire il filtro esterno e la griglia interna con acqua pulita e asciuga.
Step 4: Rimontare il tutto sul motore principale seguendo la sequenza di smontaggio.

ISTRUZIONI DI SICUREZZA

Indicazioni sulle componenti

1. Pulsante ON/OFF e di blocco
2. Pulsante di regolazione della temperatura
3. Pulsante di regolazione della velocità dell'aria
4. Pulsante touch del sensore
5. Indicatore di velocità dell'aria
6. Indicatore di temperatura
7. Indicatore touch del sensore e indicatore di pulizia inversa
8. Pulsante di aria fredda
9. Filtro
10. Copertura dell'entrata d'aria
11. Gancio
12. Cavo di alimentazione
13. Diffusore
14. Beccuccio largo
15. Beccuccio stretto



Manutenzione

- Per garantire un funzionamento ottimale e una lunga durata dell'unità, mantienila sempre pulita.
- La pulizia deve essere effettuata con l'apparecchio spento e scollegato dalla rete elettrica.
- Per preservare la piena efficacia del tuo asciugacapelli, devi regolarmente pulire il filtro sul retro con un pennello morbido e asciutto.
- Non utilizzare l'unità senza il filtro sul retro.
- NON immergere l'apparecchio in acqua.

Smaltimento:

Il simbolo sul prodotto o sulla confezione indica che questo prodotto non può essere considerato come rifiuto domestico. Invece, deve essere consegnato al punto di raccolta dedicato al riciclaggio di apparecchiature elettriche ed elettroniche. Assicurandoti che questo prodotto venga smaltito correttamente, eviterai potenziali conseguenze negative per l'ambiente e la salute umana, che altrimenti potrebbero derivare da un'impropria gestione dei rifiuti di questo prodotto. Per informazioni più dettagliate sul riciclaggio di questo

prodotto, ti preghiamo di contattare l'ufficio comunale locale, il servizio di smaltimento dei rifiuti domestici o il negozio dove hai acquistato il prodotto. Per informazioni più dettagliate sul riciclaggio di questo prodotto, ti preghiamo di contattare l'ufficio comunale locale, il servizio di smaltimento dei rifiuti domestici o il negozio dove hai acquistato il prodotto.

Garanzia

Nota: l'asciugacapelli potrebbe gradualmente cambiare colore sulla superficie in plastica a causa dell'esposizione al calore. La garanzia non copre tali cambiamenti.

Se si verificano problemi o difetti, contattare la sede di acquisto. Ricorda di portare lo scontrino.

Garantiamo i prodotti contro difetti di materiali e fabbricazione per un (1) anno dalla data di acquisto originale. Se non riesci a dimostrare la data di acquisto originale, il periodo di garanzia decorre da un (1) anno dalla data di produzione del prodotto. Questa garanzia non copre l'usura normale come eventuali difetti nel cavo di alimentazione.

La garanzia verrà annullata se si verificano le seguenti condizioni:

- Malfunzionamento dovuto a un uso improprio.
- Maniglia, corpo o beccuccio graffiati, danneggiati o rotti a causa di un uso improprio o abuso come una caduta.
- Uso di un'alimentazione a tensione errata.
- Negligenza delle precauzioni di sicurezza o mancata pulizia e manutenzione adeguata dei filtri dell'aria.
- Manomissione come riparazioni o tentativi di riparazione effettuati da persone non autorizzate o l'uso di accessori non autorizzati.

RAEE

RAEE è l'acronimo di "Rifiuti da Apparecchiature Elettriche ed Elettroniche" ed è utilizzato nell'UE come designazione comune per tali rifiuti.



SE - INDEX

26 Nano Ion Dryer

28 Säkerhetsinstruktioner

33 Garanti



Dubbel joneteknologi.
Inbyggd generator för
mindre frissighet och
fuktskydd.

Munstycke och diffuser
med kraftig
Neodymium-magnets-
fäste. För extra stabilitet,
fäste och rotation.



3-meters lång mjuk rund
sladd med kardborreband.



Automatisk rengöringspro-
gram. Omvänt luftflöde för
återställning av filter var
sjätte timme.

Touch-knappar för
på- & avstängning:
4 hastighetsinställningar
4 värmeställningar
Automatisk strömvstängning
efter 240 minuter

Temperatursensorer:
Justerar automatiskt
temperaturen efter
inställningarna



NANO ION DRYER

SE > Kom igång med din nya Nano Ion hårfön på nolltid! Följ denna snabba guide: Sätt i din hårfön i vägguttaget. Tryck på knappen ON och välj dina hastighets- och värmeinställning. Aktivera sensorn genom att trycka på knappen, och en LED-lampa kommer att lysa. Genom att ta bort handen kommer hårfönen automatiskt att stängas av och starta igen när handtaget vidrörs. När alla inställningar är klara, vrid knappen till låst för att skydda dina valda inställningar under användning. Med sensorknappen aktiverad kan hårfönen placeras i hållaren efter användning och stängs av automatiskt. Efter 240 minuters paus går hårtorken in i "avstängningsläge", och knappen måste tryckas på av och sen på igen. Hårtorken har en inbyggd minnesfunktion och återaktiveras till den senaste inställningen.



SÄKERHETSINSTRUKTIONER

Tack för att du valde en HH Simonsen® produkt.

Det har alltid varit HH Simonsen®'s filosofi att erbjuda våra kunder högkvalitativa och professionella stylingprodukter.

Alla HH Simonsen® stylingverktyg är lätta att hantera tack vare deras ergonomiska design och har betydligt minskat i vikt. Vi skryter också med en smidig "sväng" sladd som eliminerar trassliga strömkablar.

Om de används korrekt, i enlighet med säkerhetsanvisningarna, bör våra produkter ge dig års användning och slutligen ge dig de resultat du letar efter! Vi hoppas att vår produkt kommer att ge dig den mest underbara stylingupplevelsen.

1. Säkerhet

Tack för att du valt vår nya hårfön, som säkert kommer att motsvara dina högsta förväntningar.

VARNING: VÄNLIGEN LÄS NOGGRANT GENOM INSTRUKTIONERNA INNAN ANVÄNDNING. TILLVERKARENS INSTRUKTIONER MÅSTE FÖLJAS KORREKT FÖR ATT SÄKERSTÄLLA DEN SÄKRASTE ANVÄNDNINGEN AV DENNA ENHET.

Säkerhetstips:

1. Håll förpackningen (påsar, lådor etc.) borta från barn. De kan vara farliga om de leker med dem.
2. Anslut apparaten och se till att huvudspänningen är samma som den som anges på enheten.
3. RÖR ALDRIG enheten med våta eller fuktiga händer eller fötter.
4. FÖRHINDRA att enheten kommer i kontakt med vatten eller annan vätska. Använd inte den här apparaten nära badkar, duschar, handfat eller andra föremål som innehåller vatten.



VARNING: Använd inte den här enheten nära badkar, duschar, handfat eller något annat föremål som innehåller vatten.

5. Om enheten av misstag faller i vatten eller annan vätska, FÖRSÖK INTE LYFTA UPP DEN, dra omedelbart ut kontakten först.
6. Använd inte förlängningsladdar i rum med badkar eller duschar.
7. Om enheten faller/tappas, kontrollera den innan du använder den. Den måste kontrolleras av kvalificerad personal eller av auktoriserad återförsäljare.
8. När hårtorken används i ett badrum, dra ur strömsladden efter användning eftersom närheten till vatten utgör fara även när enheten är avstängd.
9. Dra inte i sladden för att koppla ur apparaten.
10. Vira inte in sladden runt apparaten.
11. Använd aldrig denna apparat om sladden är skadad eller om den inte fungerar korrekt. Returnera enheten till



tillverkaren eller till en utsedd kundtjänstrepresentant.

12. Den här apparaten är inte avsedd för användning av personer med fysiska, sensoriska eller mentala funktionshinder (inklusive barn), eller av personer som saknar erfarenhet eller kunskap, om de inte övervakas eller har fått instruktioner om hur man använder apparaten av en person ansvarig för deras välbefinnande. Barn bör övervakas för att undvika att de leker med apparaten.

13. För att undvika överhettning, lämna inte apparaten inkopplad. Stäng alltid av enheten efter användning genom att koppla ur den.

14. Använd inte sprayer (hårspray) nära hårfönen när den är i bruk.

15. Lämna inte rummet medan apparaten fortfarande är i drift.

16. För att undvika brännskador, håll de varma delarna av apparaten borta från värmeömtåliga ytor och hud.

17. Täck inte hårfönen med handdukar eller andra föremål medan den är i bruk eller fortfarande är varm.

18. FÖRVARA ALDRIG apparaten medan den fortfarande är

varm eller inkopplad.

19. FÖRHINDRA ALLTID att kabeln kommer i kontakt med varma delar av enheten, även när den är urkopplad.

20. Blockera inte luftintaget. Kontrollera regelbundet att det är rent och fritt från hår.

21. För ytterligare skydd rekommenderar vi att installera en restströmsbrytare (RCD) med en nominell strömfelström på högst 30 mA i den elektriska kretsen som förser badrummet med el. Fråga din installatör om råd.

22. VARNING: Om enheten används på ett sätt som inte anges av tillverkaren kan säkerheten äventyras.

Tekniska data:

Spänning: 220-240V-

Frekvens: 50/60 Hz

Effekt: 1.700 W

Lufthastighet: 26 M/S

Ljudnivå: 79 dB

Vikt: 380 g

Extra flexibel 3 m kabel

Funktioner:

Bindande ION-generator för att minska frissighet och låsa in fukt i håret för ett silkeslent resultat

Ergonomisk och modern design

Robust och lättviktig design i polykarbonat

Långlivad BLDC-motor med 110 000 varv/min

4 temperatur- och 4 hastighetsinställningar, lämpliga för alla typer av naturligt hår.

Kall luft-knapp

Överhettningsskydd

Minnesfunktion

Automatisk rengöringsfunktion med omvändning för att skydda torken

Avstängningsfunktion för säker användning

Låsfunktion

Magnetiska stylingtillbehör, inklusive två olika munstycken med silikonöverdrag och en diffusor.

Avtagbar filter, lätt att ta bort för rengöring



SÄKERHETSINSTRUKTIONER

Instruktioner

Kontrollera att strömförsörjningen överensstämmer med den som är tryckt på apparaten. Sätt i kontakten i uttaget, tryck på ON/OFF-knappen (1). När du startar hårfönen för första gången kommer standardhastigheten och temperaturen att vara det minsta. Den första vita hastighetsindikatorlampan kommer att blinka.

Efter användning, stäng av apparaten och koppla bort den från strömförsörjningen. Förvara den inte förrän den är kall.

Justera hastigheten

Hårfönens hastighet kan justeras i 4 hastigheter med hjälp av hastighetsjusteringsknappen (3).

Tryck en, två eller tre gånger för att justera hastigheten. Den vita lampan (5) kommer att tändas för att indikera hastighetsnivåer 1-2-3.

- Om du inte trycker på knappen kommer hastigheten att vara den lägsta.
- Tryck en gång på knappen för låg hastighet.
- Tryck två gånger på knappen för medelhastighet.

- Tryck tre gånger på knappen för hög hastighet.
- Press the button three times for high speed.

Kall luft-knapp

Om du trycker på kall luft-knappen (8) kommer temperaturen automatiskt att växla till kall.

Temperaturinställningar

Lufttemperaturen kan justeras med temperaturjusteringsknappen (2).

Tryck en gång, två gånger eller tre gånger för att justera temperaturen. För att ställa in hårfönens temperatur kan du göra detta med knappen (2).

Tryck 1-2-3 gånger för att justera temperaturen. Den röda LED-indikatorn (6) kommer att tändas och indikera temperaturnivåerna 1-2-3.

- Om du inte trycker på knappen kommer det vara kallt.
- Tryck en gång på knappen för svalt.
- Tryck två gånger på knappen för varmt.
- Tryck tre gånger på knappen för hett.

Omvänd rengöringsfunktion:

Tryck först på sensorberöringsknappen (4) och flytta samtidigt ON/OFF-knappen (1) till "ON" för att starta denna funktion. Den blå lampan (7) kommer att blinka under denna funktion.

Automatisk omvänd rengöringsfunktion:

När användningstiden för hårfönen når 6 timmar, kommer den blå lampan (7) att blinka (vid sensorn) - indikation. Påminner dig om att det nu är dags att rengöra. Om hårfönen inte har rengjorts kommer hårfönen att gå in i nödläge, ingen värme och lägsta fönhastighet för att fungera. Rengör det inre filtret och luftintagslocket för att skydda motorns livslängd. Rengöringsprocess; Tryck på sensorberöringsknappen (7) och flytta sedan on/off-knappen (4) till position "on". Stäng av torken efter 10-15 sekunder.



Sensorberöringsfunktion:

Tryck på sensorberöringsknappen (4) för att starta denna funktion. Den röda lampan (7) kommer att blinka.

(Obs: Om sensorberöringen aktiverades senast (innan du stänger av hårfönen), kommer den att återgå till att fungera nästa gång.

Om sensorberöringsfunktionen inaktiveras (innan du stänger av hårfönen), kommer den inte att fungera nästa gång.

Överhettningsskydd

För att undvika överhettning har denna hårfön NTC+ termostat + säkring. Både temperaturen och kraften kommer att minska när denna funktion aktiveras.

Automatisk avstängningsfunktion:

Torken kommer att stängas av automatiskt efter 4 timmar av inaktivitet, även om sensorn är avaktiverad.

Låsfunktion:

Förutom kall luft-knappen är de övriga funktionsknapparna under låsknappen (1)

Minnesfunktion:

Alla funktioner på enheten kommer automatiskt att återgå till senast valda inställning när den slås på igen.

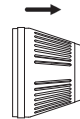
Rengöringsinstruktioner

Först, koppla ur enheten från vägguttaget, ta bort luftintagslocket (10), ta bort filtret (9) från insidan av baksidan och rengör det med en fuktig handduk eller svamp. Se till att filtret är torrt innan du monterar ihop det igen. En bra underhåll av filtret kan förlänga apparatens livslängd..

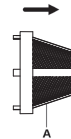
Steg för att rengöra filtret

A. Filter

Utdragriktning



Utdragriktning



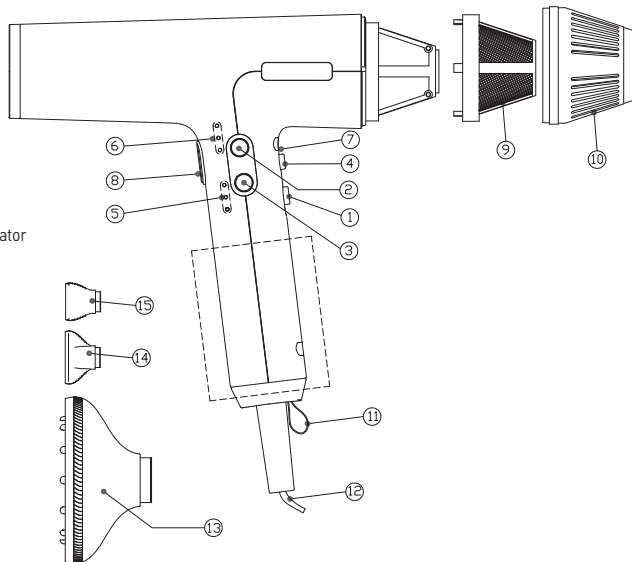
Steg 1: Koppla ur strömmen och ta bort den magnetiska baksidan av enheten horisontellt, som visas i ritningen.

Steg 2: Ta bort det inre filtret från insidan av det yttre filtret.
Steg 3: Rengör det yttre filtret och insugskåpan med rent vatten och torka.
Steg 4: Monteras på huvudmotorn.

SÄKERHETSINSTRUKTIONER

Delarnas riktningar

1. ON/OFF- och låsknapp
2. Temperaturjusteringsknapp
3. Luftstyrningsknapp
4. Sensorberöringsknapp
5. Luftstyrningsindikator
6. Temperaturindikator
7. Sensorberöringsindikator & omvänd rengöringsindikator
8. Kall luft-knapp
9. Filter
10. Luftintagslock
11. Hängare
12. Strömkabel
13. Diffusor
14. Bred munstycke
15. Smalt munstycke



Underhåll

- För att enheten ska fungera perfekt och ha lång livslängd, håll den alltid ren.
- Rengöring måste utföras när enheten är kall och urkopplad från elnätet.
- För att bevara hårfönens fulla effektivitet måste du regelbundet rengöra filtret på baksidan med en mjuk torr borste.
- Använd inte enheten utan filtret på baksidan.
- LÄGG ALDRIG enheten i vatten.

Avfallshantering:

Symbolen på produkten eller dess förpackning indikerar att denna produkt inte får behandlas som hushållsavfall. Istället ska den lämnas in till återvinning av elektrisk och elektronisk utrustning. Genom att se till att denna produkt avyttras korrekt, kommer du att förhindra möjliga negativa konsekvenser för miljön och människors hälsa, som annars kan orsakas av olämplig hantering av produktens avfall. För mer detaljerad information om återvinning av denna produkt, vänligen kontakta

din lokala stadskontor, ditt hushållsavfallshanteringstjänst eller butiken där du köpte produkten.

Garanti

Observera: Hårtorken kan gradvis ändra färg på plastytan på grund av värmeexponering. Garantin täcker inte dessa förändringar.

Om problem eller defekter uppstår, kontakta inköpsstället. Kom ihåg att ta med ditt kvitto.

Vi garanterar produkter mot defekter i material och utförande i ett (1) år från ursprungligt köpdatum. Om du inte kan bevisa ursprungligt köpdatum, löper garantiperioden ett (1) år från produktens tillverkningsdatum.

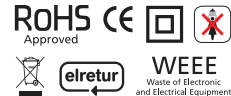
Denna garanti täcker inte normalt slitage såsom brister i strömkablen.

Garantin blir ogiltig om följande inträffar:

- Fel på grund av felaktig användning.
- Repad, skadad eller sprucket handtag eller munstycke på grund av felaktig användning eller missbruk, såsom att tappa enheten.
- Användning av fel spänningsförsörjning.
- Försummelse av säkerhetsföreskrifter eller bristande rengöring och underhåll av luftfiltren.
- Manipulation, såsom reparation eller försök till reparation av oauktoriserad person eller användning av oauktoriserade tillbehör.

Weee

WEEE står för "Waste from Electrical and Electronic Equipment" och används inom EU som en gemensam beteckning för sådant avfall.



ES - ÍNDICE

- 34 Secador Nano Ion Dryer
- 36 Instrucciones de seguridad
- 41 Garantía



34

Tecnología de fijación
iónica dual.
Generador integrado
para menos en-
crespamiento y más
protección contra la
humedad.

Boquilla y difusor con
fuerte fijación de imán de
neodimio.
Para mayor estabilidad,
fijación y rotaciones.



Cable de 3 metros
con velcro



Programa de
autolimpieza.
Viento inverso
para reajustar el
filtro cada 6 horas.

Sensores táctiles
de encendido:
4 ajustes de velocidad
4 ajustes de calor
Desconexión automática
tras 240 minutos

Sensores de
temperatura:
Ajuste automático
de la temperatura



NANO ION DRYER

ES > Utiliza tu nuevo secador Nano Ion en un abrir y cerrar de ojos. Sigue esta guía rápida: Enchufa el secador. Pulsa el botón de encendido y elige los ajustes de intensidad y calor. Activa el sensor pulsando el botón y se encenderá una luz LED. Al retirar la mano, el secador se apagará automáticamente y volverá a encenderse al tocar el mango. Cuando todos los ajustes están listos, el botón pasa a bloqueo para proteger los ajustes elegidos durante el uso. Con el botón de sensor activado, el secador puede colocarse en el soporte después de su uso y se apagará automáticamente. Tras 240 minutos de pausa, el secador entra en "modo apagado", por lo que es necesario pulsar el botón para apagarlo y volver a encenderlo. El secador tiene una función de memoria incorporada y se reactivará con el último ajuste.

INSTRUCCIONES DE SEGURIDAD

Gracias por elegir los productos HH Simonsen®.

La filosofía de HH Simonsen® siempre ha sido ofrecer a nuestros clientes productos de peluquería profesionales de alta calidad.

Todos los aparatos de peluquería HH Simonsen® son fáciles de manejar gracias a su diseño ergonómico y su peso se ha reducido considerablemente. Además, cuentan con un cable "pivotante" de acción suave que elimina los enredos de los cables de alimentación.

Si se utilizan correctamente, de acuerdo con las instrucciones de seguridad, nuestros productos deberían proporcionarle años de uso y, en definitiva, los resultados deseados. Esperamos que nuestro producto le proporcione la experiencia de peinado más placentera.

1. Seguridad

Gracias por elegir nuestros nuevos secadores, que sin duda responderán a sus más altas expectativas.

PRECAUCIÓN: LEA ATENTAMENTE LAS INSTRUCCIONES ANTES DE UTILIZAR EL APARATO. LAS INSTRUCCIONES DEL FABRICANTE DEBEN SEGUIRSE CORRECTAMENTE PARA GARANTIZAR EL USO MÁS SEGURO DE ESTE APARATO.

Consejos de seguridad:

1. Mantenga los envases (bolsas, cajas, etc.) fuera del alcance de los niños. Pueden ser peligrosos si juegan con ellos.
2. Enchufe el aparato asegurándose de que la tensión de red es la misma que la indicada en el aparato.
3. NUNCA toque la unidad con las manos o los pies mojados o húmedos.

4. Evite que el aparato entre en contacto con agua u otros líquidos. otros líquidos.



ADVERTENCIA: No utilice este aparato cerca de bañeras duchas, lavabos o cualquier otro objeto que contenga agua.

5. Si la unidad cae accidentalmente al agua o a cualquier otro líquido, NO INTENTE RECOGERLO, desenchúfelo inmediatamente.
6. No utilice alargadores en habitaciones con bañeras o duchas.
7. Si el aparato se cae, compruébelo antes de utilizarlo. Debe ser revisado por personal cualificado o por el servicio postventa oficial.
8. Cuando el secador de pelo se utilice en un cuarto de baño, desenchúfelo después de usarlo.
9. No tire del cable para desenchufar el aparato.
10. No enrolle el cable alrededor del aparato.

11. No utilice nunca este aparato si el cable está dañado o si no funciona correctamente. Devuelva el aparato al fabricante o a un representante delegado del servicio de atención al cliente.
12. Este aparato no está destinado a ser utilizado por personas con discapacidad física, sensorial o mental (incluidos niños), o por personas que carezcan de experiencia o conocimientos, a menos que estén bajo la supervisión o hayan recibido instrucciones sobre el uso del aparato por parte de una persona responsable de su bienestar. Los niños deben ser supervisados para evitar que jueguen con el aparato.
13. Para evitar el sobrecalentamiento, no deje el aparato enchufado. Apague siempre el aparato después de usarlo desenchufándolo.
14. No utilice sprays (laca) cerca del secador mientras éste está en uso.
15. No salir de la estancia mientras el aparato esté en funcionamiento.
16. Para evitar quemaduras, mantenga las partes calientes del aparato alejadas de superficies

- sensibles al calor y de la piel.
17. No cubra el secador con toallas u otros objetos mientras esté en uso o todavía caliente.
18. NUNCA guarde el aparato mientras esté caliente o enchufado.
19. Evite SIEMPRE que el cable entre en contacto con partes calientes del aparato, incluso cuando esté desenchufado.
20. No obstruya la entrada de aire. Compruebe regularmente que está limpia y libre de pelos.
21. Para una protección adicional, recomendamos instalar un dispositivo de corriente residual (RCD) con una corriente nominal de defecto de funcionamiento no superior a 30 mA en el circuito eléctrico que alimenta el cuarto de baño. Pida consejo a su instalador.
22. ADVERTENCIA: Si el aparato se utiliza de un modo no especificado por el fabricante, la seguridad puede verse comprometida.

Datos técnicos:

- Tensión: 220-240V~
Frecuencia: 50/60 Hz
Potencia: 1.700 W
Velocidad del aire: 26 M/S
Nivel sonoro: 79 dB
Peso: 380g
Cable extra flexible de 3 m

Características:

- Generador de iones Bonding para ayudar a reducir el encrespamiento y fijar la hidratación en el cabello para un resultado sedoso.
- Diseño ergonómico y moderno.
- Carcasa de policarbonato robusta y ligera.
- Motor BLDC de larga duración con 110.000RPM.
- 4 ajustes de temperatura y 4 de velocidad, adecuados para cualquier tipo de cabello natural.
- Botón de aire frío.
- Protección contra sobrecalentamiento.



INSTRUCCIONES DE SEGURIDAD

Función de memoria.

Función de limpieza automática inversa para proteger el secador.

Función de autoapagado para mayor seguridad.

Función de bloqueo.

Accesorios de peinado magnéticos, que incluyen dos boquillas diferentes con cubierta de silicona y un difusor.

Cesta de filtro extraíble, fácil de retirar para su limpieza.

Instrucciones

Compruebe que la fuente de alimentación corresponde a la impresa en el aparato. Inserte el enchufe en la toma de corriente, pulse el botón ON/OFF (1). Cuando encienda el secador por primera vez, la velocidad y la temperatura predeterminadas serán las mínimas. La primera luz blanca indicadora de velocidad parpadeará.

Después de utilizarla, apague el aparato y

desconéctelo de la red eléctrica. No lo guarde hasta que esté frío.

Ajustar la velocidad

La velocidad del aire puede ajustarse en 4 velocidades con el botón de ajuste de la velocidad del aire (3).

Pulse una, dos o tres veces para ajustar la velocidad.

La luz blanca (5) se encenderá para indicar los niveles de velocidad de aire 1-2-3.

- Si no pulsa el botón, la velocidad será la mínima.
- Pulse el botón una vez para velocidad baja.
- Pulse el botón dos veces para velocidad media.
- Pulse el botón tres veces para velocidad alta.

Botón de aire frío

Si pulsa el botón de aire frío (8), la temperatura cambiará automáticamente a fría.

Ajuste de la temperatura

La temperatura del aire puede ajustarse con el botón de ajuste de la temperatura (2).

Pulse una, dos o tres veces para ajustar la temperatura.

Para ajustar la temperatura del secador, puede hacerlo con el botón (2).

Pulse 1-2-3 veces para ajustar la temperatura. El indicador LED rojo (6) se encenderá, indicando los niveles de temperatura 1-2-3.

- Si no pulsa el botón, estará fría.
- Pulse el botón una vez para frío.
- Pulse el botón dos veces para cálido.
- Pulse el botón tres veces para caliente.

Función de limpieza inversa:

Pulse primero el botón táctil del sensor (4) y mueva el botón ON/OFF al mismo tiempo (1) a "ON" para iniciar esta función.

La luz azul (7) parpadeará en esta función.



Función de limpieza automática inversa:

Una vez que el tiempo de servicio del secador alcanza las 6 horas de uso, la luz azul (7) parpadeará (en el sensor) recordándole que ha llegado el momento de limpiar el secador. Si no se limpia, el secador estará en modo de emergencia directamente, sin calor y a la velocidad más baja para funcionar.

Limpie el filtro interior y la tapa de entrada de aire para proteger la vida útil del motor.

Proceso de limpieza: presione la parte inferior táctil del sensor (7) y luego mueva el botón de encendido/apagado (4) a la posición "ON". Apague el secador después de 10-15 segundos.

Función sensor touch:

Pulse el botón sensor touch (4) para iniciar esta función. La luz roja (7) parpadeará con esta función.

Observación: Si el sensor táctil se activó la última vez (antes de apagar el secador), volverá a funcionar la próxima vez.

Si la función sensor táctil está desactivada (antes de apagar el secador), no funcionará la próxima vez.

Protección contra sobrecalentamiento

Utilizando termostato NTC+ + fusible para este secador para evitar el problema de sobrecalentamiento. Tanto la temperatura como la potencia bajarán con esta función.

Función de apagado automático:

El secador se apagará automáticamente después de 4 horas sin uso, aunque el sensor esté desactivado.

Función de bloqueo:

Excepto para el botón de aire frío, los otros botones de función están bajo el funcionamiento del botón de bloqueo (1).

Función de memoria:

Todas las funciones del secador volverán automáticamente a la última configuración elegida cuando se vuelva a encender.

Instrucciones de limpieza

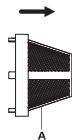
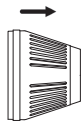
En primer lugar, desenchufe el secador de la red eléctrica, retire la tapa de la entrada de aire (10), saque el filtro (9) del interior de la tapa trasera y límpielo con una toalla o esponja húmeda, asegurándose de que el filtro esté seco antes de volver a montarlo. Un buen mantenimiento del filtro puede prolongar la vida útil del secador.

INSTRUCCIONES DE SEGURIDAD

Paso para limpiar el filtro

A. Filtro

Dirección de extracción Dirección de extracción

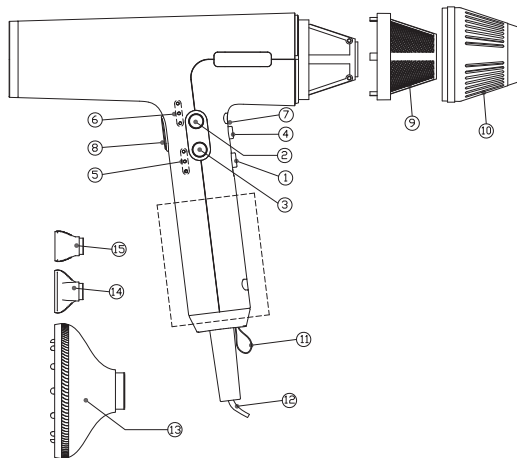


Paso 1: Desenchufe la fuente de alimentación y retire la cubierta posterior magnética de la secadora horizontalmente, como se muestra en el dibujo.

Paso 2: Extraiga el filtro interior del interior del filtro exterior.
Paso 3: Limpie el filtro exterior y la cubierta interior con agua limpia y séquelos.
Paso 4: Ensamble al motor principal en la misma secuencia del desmontaje.

Indicación de las partes:

1. Botón ON/OFF y de bloqueo
2. Botón de ajuste de temperatura
3. Botón de ajuste de la velocidad del aire
4. Botón táctil del sensor
5. Indicador de velocidad del aire
6. Indicador de temperatura
7. Indicador de contacto del sensor e indicador de limpieza inversa
8. Botón de aire frío
9. Filtro
10. Tapa de entrada de aire
11. Colgador
12. Cable de alimentación
13. Difusor
14. Boquilla ancha
15. Boquilla estrecha



Mantenimiento

- Para que la unidad funcione perfectamente y tenga una larga vida útil, manténgala siempre limpia.
- La limpieza debe realizarse con el aparato frío y desenchufado de la red eléctrica.
- Para conservar toda la eficacia de su secador, debe limpiar regularmente el filtro de la parte trasera con un cepillo suave y seco.
- No utilice el aparato sin el filtro de la parte trasera.
- No introduzca NUNCA el aparato en agua.

Eliminación:

El símbolo en el producto o en su embalaje indica que este producto no puede ser tratado como basura doméstica. En su lugar, deberá entregarse en el punto de recogida correspondiente para el reciclado de aparatos eléctricos y electrónicos. Al asegurarse de que este producto se desecha correctamente, evitará posibles consecuencias negativas para el medio ambiente y la salud humana, que de otro modo podrían ser causadas

por una manipulación inadecuada de los residuos de este producto. Para obtener información más detallada sobre el reciclaje de este producto, póngase en contacto con su ayuntamiento, con el servicio de recogida de residuos domésticos o con la tienda donde adquirió el producto.

Garantía

Nota: El secador de pelo puede cambiar gradualmente de color en la superficie de plástico debido a la exposición al calor. La garantía no cubre estos cambios. Si surgen problemas o defectos, contacte con el lugar de compra. Recuerde llevar el recibo de compra. Garantizamos los productos contra defectos de materiales y mano de obra durante un (1) año para profesionales a partir de la fecha de compra original. Si no puede demostrar la fecha de compra original, el periodo de garantía será de un (1) año para profesionales a partir de la fecha de fabricación del producto. La garantía será de (3) años para uso doméstico. Esta garantía no cubre el desgaste normal como, por ejemplo, la falta del cable de alimentación.

La garantía quedará anulada si ocurre lo siguiente:

- Fallos debidos a un uso inadecuado.
- Mango, carcasa o boquilla rayados, dañados o agrietados debido a un uso incorrecto o abusivo, como caídas.
- Uso de un suministro de tensión incorrecto.
- Descuido de las precauciones de seguridad o falta de limpieza adecuada y mantenimiento de los filtros de aire.
- Manipulación como reparación o intento de reparación por parte de una persona no autorizada o uso de accesorios no autorizados.

WEEE / RAEE

RAEE es la abreviatura de "residuos de aparatos eléctricos y electrónicos" y se utiliza en toda la UE como denominación común para este tipo de residuos.



DE - INHALT

42 Nano Ion Dryer

44 Sicherheitshinweise

49 Garantie



42

Dual Ionic Bonding
Technologie:
Integrierter Generator
für weniger
Frizz und mehr
Feuchtigkeitsschutz

Düse und Diffusor mit
starkem Neodym-Magneten.
Für zusätzliche Stabilität,
Befestigung und Verdrehungen



3 Meter langes, weiches
Kabel mit Klettverschluss



Automatisches
Reinigungsprogramm.
Reinigung und
Rücksetzung des
Luffilters alle 6 Stunden

Berührungssensoren
für Leistung: 4
Geschwindigkeitsstufen,
4 Temperaturstufen,
automatische Abschaltung
nach 240 Minuten

Temperatursensoren:
Automatische Anpassung
der Temperatur an die
Einstellung



NANO ION DRYER

DE > Machen Sie sich im Handumdrehen mit Ihrem neuen Nano Ion Dryer vertraut! Folgen Sie dieser Kurzanleitung:

Schließen Sie Ihren Föhn an. Drücken Sie den Einschaltknopf und wählen Sie Ihre Geschwindigkeits- und Wärmeeinstellungen. Aktivieren Sie den Sensor mit einem Druck auf den Knopf und eine LED-Lampe leuchtet auf. Wenn Sie die Hand wegnehmen, schaltet sich der Föhn automatisch aus und startet erneut, sobald Sie den Griff berühren. Wenn alle Einstellungen bereit sind, wird die Taste gesperrt, um die gewählten Einstellungen während des Gebrauchs zu schützen. Wenn die Sensortaste aktiviert ist, kann der Föhn nach dem Gebrauch in die Halterung gestellt werden und schaltet sich automatisch aus. Nach 240 Minuten Pause schaltet der Föhn in den "Abschaltmodus" und muss durch Drücken der ON/OFF-Taste wieder eingeschaltet werden. Der Föhn verfügt über eine eingebaute Speicherfunktion und wird mit der letzten Einstellung wieder aktiviert.



SICHERHEITSHINWEISE

Vielen Dank, dass Sie sich für HH Simonsen® Produkte entschieden haben.

HH Simonsen® hat sich schon immer zum Ziel gesetzt, seinen Kunden qualitativ hochwertige, professionelle Stylingprodukte anzubieten.

Alle HH Simonsen® Haarstyler sind dank ihres ergonomischen Designs leicht zu handhaben und haben ein deutlich geringeres Gewicht. Außerdem verfügen sie über ein leichtgängiges, drehbares Kabel, das eine Verwicklung des Stromkabels verhindert.

Bei richtiger Anwendung und unter Beachtung der Sicherheitshinweise sollten Sie unsere Produkte jahrelang nutzen können und letztendlich die gewünschten Ergebnisse erzielen! Wir hoffen, dass unser Produkt Ihnen das schönste Styling-Erlebnis bescheren wird.

1. Sicherheit

Vielen Dank, dass Sie sich für unsere Haartrockner entschieden haben, die mit Sicherheit

Ihren höchsten Erwartungen entsprechen werden.

ACHTUNG: BITTE LESEN SIE DIE ANLEITUNG VOR DEM GEBRAUCH SORGFÄLTIG DURCH. DIE ANWEISUNGEN DES HERSTELLERS MÜSSEN KORREKT BEFOLGT WERDEN, UM DEN SICHERSTEN GEBRAUCH DIESER GERÄTES ZU GEWÄHRLEISTEN.

Sicherheitstipps:

1. Halten Sie die Verpackung (Beutel, Schachteln usw.) von Kindern fern. Sie können gefährlich sein, wenn sie damit spielen.
2. Schließen Sie das Gerät an den Stromkreis an und achten Sie darauf, dass die Netzspannung mit der auf dem Gerät angegebenen Spannung übereinstimmt.
3. Berühren Sie das Gerät NIEMALS mit nassen oder feuchten Händen oder Füßen.
4. Verhindern Sie, dass das Gerät mit Wasser oder anderen Flüssigkeiten in Berührung kommt. Verwenden

Sie das Gerät nicht in der Nähe von Badewannen, Duschen, Waschbecken oder anderen Gegenständen, die Wasser enthalten.



WARNUNG: Verwenden Sie dieses Gerät nicht in der Nähe von Bädern, Duschen, Waschbecken oder anderen Objekten, die Wasser enthalten.

5. Wenn das Gerät versehentlich in Wasser oder eine andere Flüssigkeit fällt, versuchen Sie NICHT, es aufzuheben, sondern ziehen Sie sofort den Netzstecker.
6. Verwenden Sie keine Verlängerungskabel in Räumen mit Bädern oder Duschen.
7. Wenn das Gerät hinunterfällt, überprüfen Sie es, bevor Sie es benutzen. Am besten lassen Sie es von qualifiziertem Personal überprüfen.
8. Wenn der Haartrockner in einem Badezimmer verwendet wird, ziehen Sie nach dem Gebrauch den Stecker, da die Nähe zum Wasser eine Gefahr darstellt, selbst wenn der Trockner ausgeschaltet ist.
9. Ziehen Sie nicht am Kabel, um das Gerät auszustecken.



10. Wickeln Sie das Kabel nicht um das Gerät.
11. Nehmen Sie das Gerät niemals in Betrieb, wenn das Kabel beschädigt ist oder wenn es nicht richtig funktioniert. Senden Sie das Gerät an den Hersteller oder an einen beauftragten Kundendienst.
12. Dieses Gerät ist nicht für die Verwendung durch Personen mit körperlichen, sensorischen oder geistigen Behinderungen (einschließlich Kinder) oder durch Personen mit mangelnder Erfahrung oder Kenntnissen bestimmt, es sei denn, sie werden von einer für ihr Wohlergehen verantwortlichen Person beaufsichtigt oder haben eine Einweisung zur Verwendung des Geräts erhalten. Kinder sollten beaufsichtigt werden, damit sie nicht mit dem Gerät spielen.
13. Um eine Überhitzung zu vermeiden, lassen Sie das Gerät nicht eingeschaltet. Schalten Sie das Gerät nach dem Gebrauch immer aus und stecken den Netzstecker aus.
14. Verwenden Sie keine Sprays (Haarspray) in der Nähe des Trockners, während dieser in Betrieb ist.
15. Verlassen Sie das Gerät nicht, wenn es noch in Betrieb ist.

16. Um Verbrennungen zu vermeiden, halten Sie die heißen Teile des Geräts von hitzeempfindlichen Oberflächen und der Haut fern.
17. Decken Sie den Trockner nicht mit Handtüchern oder anderen Gegenständen ab, wenn er in Betrieb oder noch heiß ist.
18. Lagern Sie das Gerät NIEMALS, wenn es noch heiß oder eingesteckt ist.
19. Vermeiden Sie IMMER, dass das Kabel mit heißen Teilen des Geräts in Berührung kommt, auch wenn es nicht eingesteckt ist.
20. Der Luftzufuhr darf nicht blockiert werden. Prüfen Sie regelmäßig, ob er sauber und frei von Haaren ist.
21. Als zusätzlichen Schutz empfehlen wir die Installation eines Fehlerstromschutzschalters (RCD) mit einem Bemessungsfehlerstrom von höchstens 30 mA in dem Stromkreis, der das Badezimmer versorgt. Fragen Sie Ihren Installateur um Rat.
22. WARNUNG: Wenn das Gerät auf eine Weise verwendet wird, die nicht vom Hersteller empfohlen ist, kann die Sicherheit beeinträchtigt werden.

Technische Daten:

- Spannung: 220-240V~
Frequenz: 50/60 Hz
Leistung: 1.700 W
Windgeschwindigkeit: 26 M/S
Lautstärke: 79 dB
Gewicht: 380g
3m extra flexibles Kabel

Eigenschaften:

- Bonding ION-Generator zur Reduzierung von Frizz und zum Einschluss von Feuchtigkeit im Haar für ein seidiges Ergebnis
- Ergonomisches und modernes Design
- Robustes und leichtes Polycarbonat-Gehäuse
- Langlebiger BLDC-Motor mit 110.000 RPM
- 4 Temperatur- und 4 Geschwindigkeitsstufen, geeignet für jede Art von Naturhaar
- Kaltluft-Taste
- Überhitzungsschutz
- Speicherfunktion



SICHERHEITSHINWEISE

Auto-Reverse-Clean-Funktion zum Schutz des Trockners
Ausschaltfunktion für den sicheren Gebrauch
Sperrfunktion
Magnetische Stylingaufsätze, darunter zwei verschiedene
Düsen mit Silikonabdeckung und ein Diffusor.
Abnehmbarer Filterkorb, leicht zu entfernen für die
Reinigung

Anleitung

Vergewissern Sie sich, dass die Netzspannung mit der auf dem Gerät aufgedruckten übereinstimmt. Stecken Sie den Stecker in die Steckdose und drücken Sie die Taste ON/OFF (1). Wenn Sie den Trockner zum ersten Mal einschalten, sind die Geschwindigkeit und die Temperatur auf das Minimum eingestellt. Bei der Geschwindigkeitsanzeige leuchtet das erste weiße Licht auf.
Schalten Sie das Gerät nach dem Gebrauch aus und trennen Sie es vom Stromnetz. Verwahren Sie das Gerät erst, wenn es abgekühlt ist.

Einstellen der Geschwindigkeit

Die Luftgeschwindigkeit kann mit der Luftgeschwindigkeits-Einstelltaste (3) in 4 Stufen eingestellt werden.
Drücken Sie einmal, zweimal oder dreimal, um die Geschwindigkeit einzustellen. Das weiße Licht (5) leuchtet auf, um die Luftgeschwindigkeitsstufen 1-2-3 anzuzeigen.
- Wenn Sie die Taste nicht drücken, ist die Geschwindigkeit auf das Minimum eingestellt.
- Drücken Sie die Taste einmal für niedrige Geschwindigkeit.
- Drücken Sie die Taste zweimal für die mittlere Geschwindigkeit.
- Drücken Sie die Taste dreimal für eine hohe Geschwindigkeit.

Kaltlufttaste

Wenn Sie die Kaltlufttaste (8) drücken, wird die Temperatur automatisch auf kalt umgestellt.

Temperatureinstellungen

Die Lufttemperatur kann mit dem Temperatureinstellknopf (2) eingestellt werden.
Drücken Sie einmal, zweimal oder dreimal, um die Temperatur einzustellen.
Die Temperatureinstellung des Trockners können Sie mit dem Temperatureinstellknopf (2) vornehmen.
Drücken Sie 1-2-3 Mal, um die Temperatur einzustellen.
Die rote LED-Anzeige (6) leuchtet auf und zeigt die Temperaturstufen 1-2-3 an.
- Wenn Sie die Taste nicht drücken, ist das Gerät kalt.
- Drücken Sie die Taste einmal für kühl.
- Zweimaliges Drücken der Taste bedeutet warm.
- Dreimaliges Drücken der Taste bedeutet heiß.

Rückwärts-Reinigungsfunktion:

Drücken Sie zuerst die Sensortaste (4) und stellen Sie gleichzeitig die EIN/AUS-Taste (1) auf "EIN", um diese Funktion zu starten.
Das blaue Licht (7) blinkt bei dieser Funktion.



Automatische Rückwärtsreinigungsfunktion:

Sobald die Betriebszeit des Trockners 6 Stunden erreicht hat, blinkt das blaue Licht (7) (am Sensor). Es erinnert Sie daran, dass jetzt der Trockner zu reinigen ist. Wenn der Trockner nicht gereinigt wird, wird der Trockner direkt in den Notfallmodus versetzt, d.h. er heizt nicht und arbeitet mit niedrigster Geschwindigkeit. Reinigen Sie den Innenfilter und die Lufteinlassabdeckung, um die Lebensdauer des Motors zu schützen. Reinigungsvorgang: Drücken Sie die Sensor-Touch-Anzeige (7) und bewegen Sie dann die Sensor-Touch-Taste (4) in die Position "Ein". Schalten Sie den Trockner nach 10-15 Sekunden aus.

Sensor-Touch-Funktion:

Drücken Sie die Sensor-Touch-Taste (4), um diese Funktion zu starten. Das rote Licht (7) blinkt bei dieser Funktion. (Bemerkung: Wenn die Sensor-Touch-Funktion beim letzten Mal (vor dem Ausschalten des Trockners) aktiviert wurde, wird sie beim nächsten Mal wieder aktiviert. Wenn die Sensor-Touch-Funktion deaktiviert wird (bevor Sie den Trockner ausschalten),

funktioniert sie beim nächsten Mal nicht mehr.

Überhitzungsschutz

Durch die Verwendung von NTC + Thermostat + Sicherung wird das Problem der Überhitzung vermieden. Sowohl die Temperatur als auch die Leistung werden durch diese Funktion gesenkt.

Automatische Abschaltfunktion:

Der Trockner schaltet sich nach 4 Stunden Nichtbenutzung automatisch ab, auch wenn der Sensor deaktiviert ist.

Sperrfunktion:

Mit Ausnahme der Kaltlufttaste sind die anderen Funktionstasten durch die Sperrtaste (1) geschützt.

Speicherfunktion:

Alle Funktionen des Trockners kehren automatisch zur zuletzt gewählten Einstellung zurück, wenn er wieder eingeschaltet wird.

Hinweise zur Reinigung

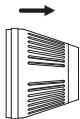
Ziehen Sie zunächst den Netzstecker des Trockners, entfernen Sie die Lufteinlassabdeckung (10), nehmen Sie den Filter (9) aus der hinteren Abdeckung heraus und reinigen Sie ihn mit einem feuchten Handtuch oder Schwamm. Achten Sie darauf, dass der Filter trocken ist, bevor Sie ihn wieder einbauen. Eine gute Wartung des Filters kann die Lebensdauer des Trockners verlängern.

SICHERHEITSHINWEISE

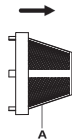
Schritt zur Reinigung des Filters

A. Filter

Richtung der Absaugung



Richtung der Absaugung

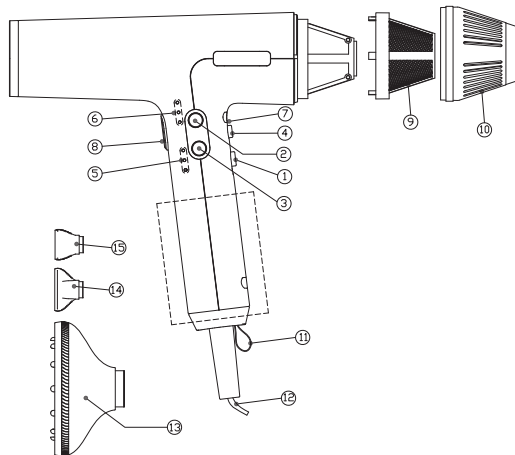


Schritt 1: Ziehen Sie den Netzstecker und entfernen Sie die magnetische Rückabdeckung des Trockners horizontal, wie in der Zeichnung dargestellt.

Schritt 2: Entfernen Sie den Innenfilter aus dem Außenfilter.
Schritt 3: Reinigen Sie den Außenfilter und die Abdeckung mit sauberem Wasser und trocknen Sie sie.
Schritt 4: In der Demontagereihenfolge am Hauptmotor montieren.

Richtungen der Teile

1. ON/OFF- & Sperrtaste
2. Taste für die Temperatureinstellung
3. Taste zur Einstellung der Luftgeschwindigkeit
4. Sensor-Touch-Taste
5. Luftgeschwindigkeitsanzeige
6. Temperatur-Anzeige
7. Sensor-Touch-Anzeige & Rückwärtsreinigungsanzeige
8. Kaltlufttaste
9. Filter
10. Luftenlassabdeckung
11. Aufhänger
12. Stromkabel
13. Diffusor
14. Breite Düse
15. Schmale Düse



Wartung

- Damit das Gerät einwandfrei funktioniert und eine lange Lebensdauer hat, halten Sie es stets sauber.
- Die Reinigung muss bei kaltem und vom Stromnetz getrenntem Gerät durchgeführt werden.
- Um die volle Leistungsfähigkeit Ihres Trockners zu erhalten, müssen Sie den Filter regelmäßig von hinten mit einer weichen, trockenen Bürste reinigen.
- Benutzen Sie das Gerät nicht ohne den Filter auf der Rückseite.
- Legen Sie das Gerät NIEMALS ins Wasser.

Entsorgung:

Das Symbol auf dem Produkt oder auf der Verpackung weist darauf hin, dass dieses Produkt nicht als Haushaltsabfall behandelt werden darf. Stattdessen muss es bei der zuständigen Sammelstelle für das Recycling von Elektro- und Elektronikgeräten abgegeben werden. Indem Sie sicherstellen, dass dieses Produkt korrekt entsorgt wird, verhindern Sie mögliche negative Folgen für die Umwelt und die menschliche Gesundheit, die durch eine unsachgemäße Entsorgung dieses Produkts

verursacht werden könnten. Nähere Informationen über das Recycling dieses Produkts erhalten Sie bei Ihrer Stadtverwaltung, Ihrem Hausmüllentsorger oder dem Geschäft, in dem Sie das Produkt gekauft haben.

Garantie

Hinweis: Der Haartrockner kann aufgrund von Hitzeeinwirkung seine Farbe auf der Kunststoffoberfläche allmählich verändern. Die Garantie deckt diese Veränderungen nicht ab. Wenden Sie sich bei Problemen oder Defekten an das Geschäft, in dem Sie das Gerät gekauft haben. Vergessen Sie nicht, Ihre Quittung mitzubringen. Wir gewähren eine Garantie auf Material- und Verarbeitungsfehler für ein (1) Jahr ab dem ursprünglichen Kaufdatum. Wenn Sie das ursprüngliche Kaufdatum nicht nachweisen können, läuft die Garantiezeit ein (1) Jahr ab dem Herstellungsdatum des Produkts. Diese Garantie deckt keine normale Abnutzung ab, wie z. B. ein defektes Netzkabel.

Die Garantie verfällt in folgenden Fällen:

- Versagen durch unsachgemäßen Gebrauch.
- Zerkratzer, beschädigter oder gesprungener Griff, Gehäuse oder Düse durch unsachgemäßen Gebrauch oder Missbrauch, z. B. durch Fallenlassen.
- Verwendung einer falschen Spannungsversorgung.
- Vernachlässigung von Sicherheitsvorkehrungen oder nicht ordnungsgemäße Reinigung und Wartung der Luftfilter.
- Manipulationen wie z. B. Reparaturen oder Reparaturversuche durch Unbefugte oder die Verwendung von nicht zugelassenen Anbauteilen.

WEEE

WEEE ist die Abkürzung für "Waste from Electrical and Electronic Equipment" (Elektro- und Elektronik-Altgeräte) und wird in der gesamten EU als gemeinsame Bezeichnung für solche Abfälle verwendet.





www.hhsimonsen.com